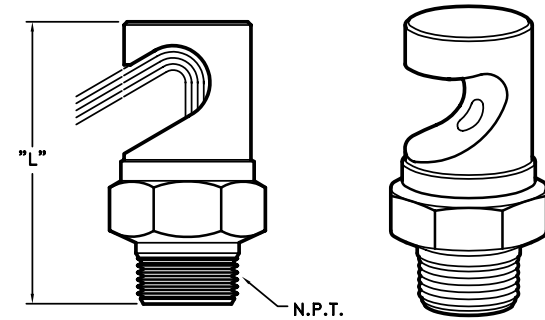


NOZZLE DESCRIPTION				LIQUID PRESSURE IN PSI	CAPACITY IN GPM	"W" IN FEET	GALLONS PER ACRE					
NOZZLE No.	PIPE CONN.	ORIFICE DIA.	"L"				2 MPH	3 MPH	4 MPH	5 MPH	7.5 MPH	10 MPH
1/4 KLC-5	1/4"	.076"	1.5"	10	0.5	14	8.8	5.9	4.4	3.5	2.4	1.8
				20	0.7	17	10.4	6.9	5.2	4.1	2.8	2.1
				30	0.9	18	12.0	8.0	6.0	4.8	3.2	2.4
				40	1.0	21	11.8	7.9	5.9	4.7	3.1	2.3
1/4 KLC-9	1/4"	.100"	1.5"	10	0.9	16	13.9	9.3	7.0	5.6	3.7	2.8
				20	1.3	18	17.9	11.9	8.0	7.2	4.8	3.6
				30	1.6	19	20	13.6	10.1	8.1	5.4	4.1
				40	1.8	21	21	14.1	10.6	8.5	5.7	4.2
1/4 KLC-18	1/4"	.140"	1.69"	10	1.8	18	25	16.5	12.4	9.9	6.6	5.0
				20	2.5	20	31	21	15.5	12.4	8.2	6.2
				30	3.1	21	37	24	18.3	14.2	9.7	7.3
				40	3.6	22	41	27	20	16.2	10.8	8.1
1/4 KLC-36	1/4"	.199"	2.0"	10	3.6	19	47	31	23	18.8	12.5	9.4
				20	5.1	22	57	38	29	23	15.3	11.5
				30	6.3	24	65	43	32	26	17.3	13.0
				40	7.2	26	69	46	34	27	18.3	13.7
3/4 KLC-50	3/4"	.234"	2.69"	10	5.0	20	62	41	31	25	16.5	12.4
				20	7.1	23	76	51	38	30	20	15.2
				30	8.7	26	82	55	41	33	22	16.5
				40	10.0	28	88	59	44	35	24	17.7
3/4 KLC-72	3/4"	.281"	2.69"	10	7.2	21	85	57	42	34	23	17.0
				20	10.2	25	101	67	51	40	27	20
				30	12.5	29	107	71	53	43	29	21
				40	14.4	31	115	77	58	46	31	23
3/4 KLC-108	3/4"	.344"	2.88"	10	10.8	21	127	85	64	51	34	26
				20	15.2	28	134	89	67	54	36	27
				30	18.7	33	140	94	70	56	37	28
				40	21.6	36	149	99	74	60	40	30

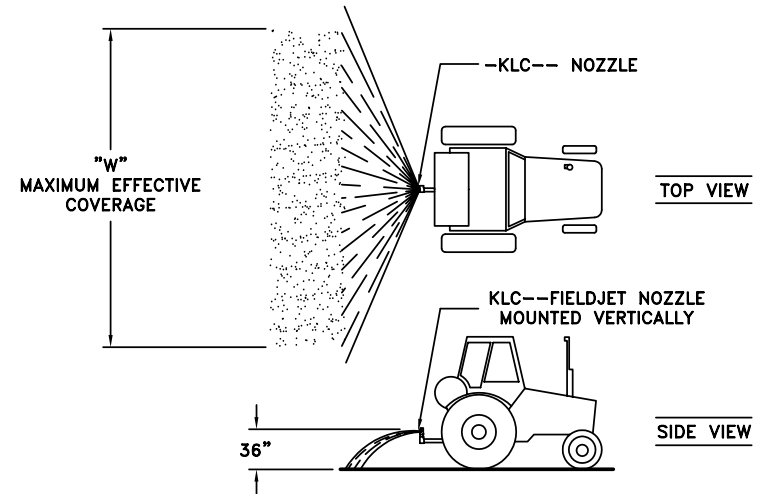
TABULATION IS BASED ON SPRAYING WATER AT TEMPERATURE OF 70°F. COVERAGES ARE BASED ON RIG BEING IN MOTION AT SPEEDS LISTED.

THE KLC NOZZLES CAN ALSO BE USED FOR HAND SPRAYING APPLICATIONS WITH S.S.Co. GUNJETS. WRITE FOR DRAWINGS.



-KLC-- NOZZLE

THE KLC NOZZLES ARE AVAILABLE IN BRASS AND STAINLESS STEEL.



KLC--FIELDJET NOZZLE MOUNTED VERTICALLY

PSI = PRESSURE IN LBS. PER SQ. INCH
 GPM = CAPACITY IN GALLONS PER MINUTE
 W = SPRAY COVERAGE IN FEET
 MPH = MILES PER HOUR

DESCRIPTION:

TYPE KLC
 FIELDJET® NOZZLE
 GALLONS PER ACRE



Spraying Systems Co.®

Spray Nozzles and Accessories
 P.O. Box 7900 - Wheaton, Il. 60189-7900

Rev. No. 1

DATA SHEET

Ref.

6797

SHEET OF